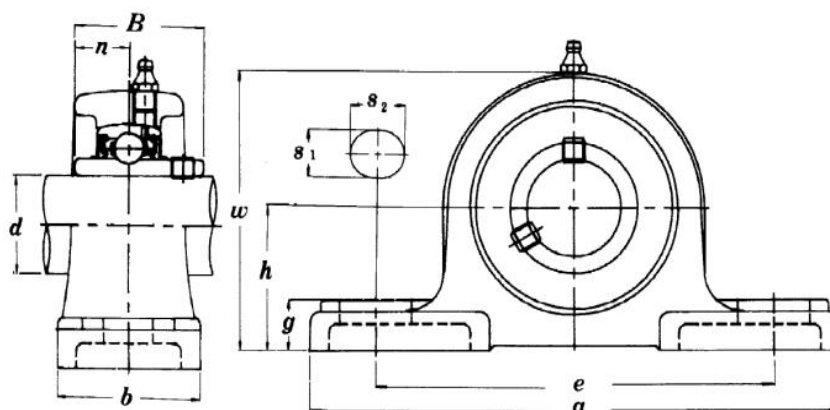


# UCP Lineáris csapágy

2017.



Unit No.	Dimensions mm												Bearing No.	Housing No.	Weight (kg)
	d	h	a	e	b	s1	s2	g	w	t	B	n			
UCP201	12	30.2	127	95	38	13	19	14	62	44.5	31	12.7	UC201	P203	0.69
UCP202	15	30.2	127	95	38	13	19	14	62	44.5	31	12.7	UC202	P203	0.69
UCP203	17	30.2	127	95	38	13	19	14	62	44.5	31	12.7	UC203	P203	0.68
UCP204	20	33.3	127	95	38	13	19	15	71	48	34.1	14.3	UC204	P204	0.66
UCP205	25	36.5	140	105	38	13	19	15	71	48	34.1	14.3	UC205	P205	0.81
UCP206	30	42.9	165	121	48	17	20	17	84	53	38.1	15.9	UC206	P206	1.24
UCP207	35	47.6	167	127	48	17	20	18	93	59.5	42.9	17.5	UC207	P207	1.58
UCP208	40	49.2	184	137	54	17	20	18	100	69	49.2	19	UC208	P208	1.89
UCP209	45	54.0	190	146	54	17	20	20	106	69	49.2	19	UC209	P209	2.14
UCP210	50	57.2	200	159	60	20	23	21	113	74.5	51.6	19	UC210	P210	2.66
UCP211	55	63.5	219	171	60	20	23	23	125	76	55.6	22.2	UC211	P211	3.31
UCP212	60	69.8	241	184	70	20	23	25	138	89	65.1	25.4	UC212	P212	4.90
UCP213	65	76.2	265	203	70	25	28	27	150	89	65.1	25.4	UC213	P213	5.15
UCP214	70	79.4	266	210	72	25	28	27	156		74.6	30.2	UC214	P214	6.20
UCP215	75	82.6	275	217	74	25	28	28	162		77.8	33.3	UC215	P215	7.16
UCP216	80	88.9	292	232	78	25	28	30	174		82.6	33.3	UC216	P216	8.10
UCP217	85	95.2	310	247	83	25	28	32	185		85.7	34.1	UC217	P217	9.81
UCP218	90	101.6	327	262	88	27	30	33	198		96	39.7	UC218	P218	11.96

megadott méretek változtatás jogát fenntartjuk.

