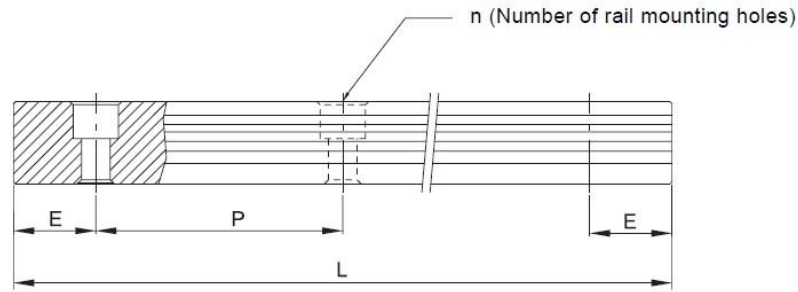


HGR Lineáris vezeték és kocsi.



2-4-1 HG Series



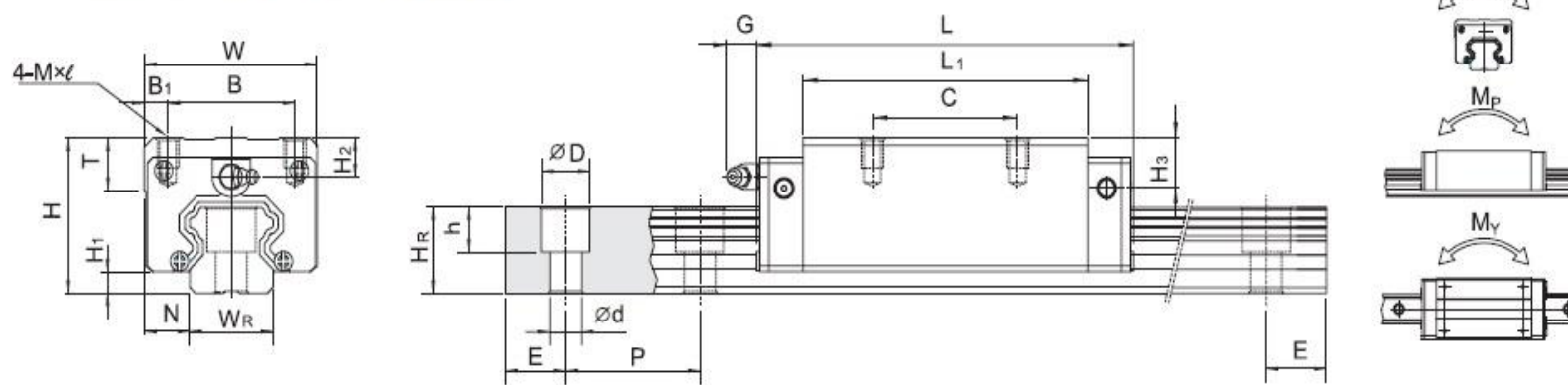
Unit: mm

Item	HGR15	HGR20	HGR25	HGR30	HGR35	HGR45	HGR55	HGR65
Standard Length L(n)	160(3)	220(4)	220(4)	280(4)	280(4)	570(6)	780(7)	1,270(9)
	220(4)	280(5)	280(5)	440(6)	440(6)	885(9)	1,020(9)	1,570(11)
	280(5)	340(6)	340(6)	600(8)	600(8)	1,200(12)	1,260(11)	2,020(14)
	340(6)	460(8)	460(8)	760(10)	760(10)	1,620(16)	1,500(13)	2,620(18)
	460(8)	640(11)	640(11)	1,000(13)	1,000(13)	2,040(20)	1,980(17)	
	640(11)	820(14)	820(14)	1,640(21)	1,640(21)	2,460(24)	2,580(22)	
	820(14)	1,000(17)	1,000(17)	2,040(26)	2,040(26)	2,985(29)	2,940(25)	
	1,240(21)	1,240(21)	2,520(32)	2,520(32)				
	1,600(27)	3,000(38)	3,000(38)					
Pitch (P)	60	60	60	80	80	105	120	150
Distance to End (E _s)								
Max. Standard Length	1,960(33)	4,000(67)	4,000(67)	3,960(50)	3,960(50)	3,930(38)	3,54(30)	3,520(24)
Max. Length	2,000	4,000	4,000	4,000	4,000	4,000	4,000	4,000

Note : 1. Tolerance of E value for standard rail is 0.5--0.5 mm. Tolerance of E value for butt-joint is 0--0.3 mm.
 2. Maximum standard length means the max. rail length with standard E value on both end.

Specifications

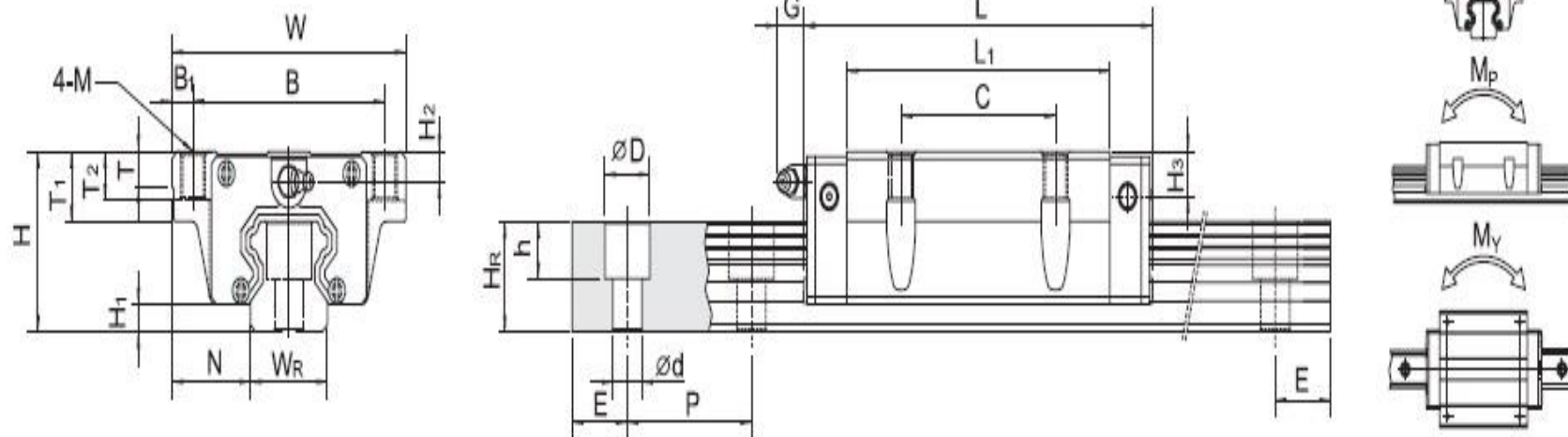
HGH-CA/HGH-HA Type



Model No.	Dimensions of Assembly (mm)			Dimensions of Block (mm)												Dimensions of Rail (mm)							Mounting Bolt for Rail (mm)	Basic Dynamic Load Rating C (kN)	Basic Static Load Rating C ₀ (kN)	Static Rated Moment			Weight	
	H	H ₁	N	W	B	B ₁	C	L ₁	L	G	M x t	T	H ₂	H ₃	W _R	H _R	D	h	d	P	E	M _R (kN-m)				M _p (kN-m)	M _v (kN-m)	Block (kg)	Rail (kg/m)	
HGH 15CA	28	4.3	9.5	34	26	4	26	39.4	61.4	5.3	M4x5	6	8.5	9.5	15	15	7.5	5.3	4.5	60	.	M4x16	11.38	25.31	0.17	0.15	0.15	0.18	1.45	
HGH 20CA	30	4.6	12	44	32	6	36	50.5	75.6	12	M5x6	8	6	7	20	17.5	9.5	8.5	6	60		M5x16	17.75	37.84	0.38	0.27	0.27	0.30	2.21	
HGH 20HA							50	65.2	90.3														21.18	48.84	0.48	0.47	0.47	0.39		
HGH 25CA	40	5.5	12.5	48	35	6.5	35	58	83	12	M6x8	8	10	13	23	22	11	9	7	60		M6x20	26.48	56.19	0.64	0.51	0.51	0.51	3.21	
HGH 25HA							50	78.6	103.6														32.75	76.00	0.87	0.88	0.88	0.69		
HGH 30CA	45	6	16	60	40	10	40	70	97.4	12	M8x10	8.5	9.5	13.8	28	26	14	12	9	80		M8x25	38.74	83.06	1.06	0.85	0.85	0.88	4.47	
HGH 30HA							60	93	120.4														47.27	110.13	1.40	1.47	1.47	1.16		
HGH 35CA	55	7.5	18	70	50	10	50	80	112.4	12	M8x12	10.2	16	19.6	34	29	14	12	9	80		M8x25	49.52	102.87	1.73	1.20	1.20	1.45	6.30	
HGH 35HA							72	105.8	138.2														60.21	136.31	2.29	2.08	2.08	1.92		
HGH 45CA	70	9.5	20.5	86	60	13	60	97	138	12.9	M10x17	16	18.5	30.5	45	38	20	17	14	105		M12x35	77.57	155.93	3.01	2.35	2.35	2.73	10.41	
HGH 45HA							80	128.8	169.8														94.54	207.12	4.00	4.07	4.07	3.61		
HGH 55CA	80	13	23.5	100	75	12.5	75	117.7	165.7	12.9	M12x18	17.5	22	29	53	44	23	20	16	120		M14x45	114.44	227.81	5.66	4.06	4.06	4.17	15.08	
HGH 55HA							95	155.8	203.8														139.35	301.26	7.49	7.01	7.01	5.49		
HGH 65CA	90	15	31.5	126	76	25	70	144.2	198.2	12.9	M16x20	25	15	15	63	53	26	22	18	150		M16x50	163.63	324.71	10.02	6.44	6.44	7.00	21.18	
HGH 65HA							120	203.6	257.6														208.36	457.15	14.15	11.12	11.12	9.82		

Note : 1 kgf = 9.81 N

HGW-CC/HGW-HC Type



Model No.	Dimensions of Assembly (mm)			Dimensions of Block (mm)														Dimensions of Rail (mm)										Mounting Bolt for Rail (mm)	Basic Dynamic Load Rating C (kN)	Basic Static Load Rating C ₀ (kN)	Static Rated Moment			Weight	
	H	H ₁	N	W	B	B ₁	C	L ₁	L	G	M	T	T ₁	T ₂	H ₂	H ₃	W _R	H _R	D	h	d	P	E	M _R (kN-m)	M _P (kN-m)	M _V (kN-m)	Block (kg)				Rail (kg/m)				
HGW 15CC	24	4.3	16	47	38	4.5	30	39.4	61.4	5.3	M5	6	8.9	6.95	4.5	5.5	15	15	7.5	5.3	4.5	60		M4x16	11.38	25.31	0.17	0.15	0.15	0.17	1.45				
HGW 20CC	30	4.6	21.5	63	53	5	40	50.5	75.6	12	M6	8	10	9.5	6	7	20	17.5	9.5	8.5	6	60		M5x16	17.75	37.84	0.38	0.27	0.27	0.40	2.21				
HGW 20HC								65.2	90.3																21.18	48.84	0.48	0.47	0.47	0.52					
HGW 25CC	36	5.5	23.5	70	57	6.5	45	58	83	12	M8	8	14	10	6	9	23	22	11	9	7	60		M6x20	26.48	56.19	0.64	0.51	0.51	0.59	3.21				
HGW 25HC								78.6	103.6																32.75	76.00	0.87	0.88	0.88	0.80					
HGW 30CC	42	6	31	90	72	9	52	70	97.4	12	M10	8.5	16	10	6.5	10.8	28	26	14	12	9	80		M8x25	38.74	83.06	1.06	0.85	0.85	1.09	4.47				
HGW 30HC								93	120.4																47.27	110.13	1.40	1.47	1.47	1.44					
HGW 35CC	48	7.5	33	100	82	9	62	80	112.4	12	M10	10.1	18	13	9	12.6	34	29	14	12	9	80		M8x25	49.52	102.87	1.73	1.20	1.20	1.56	6.30				
HGW 35HC								105.8	138.2																60.21	136.31	2.29	2.08	2.08	2.06					
HGW 45CC	60	9.5	37.5	120	100	10	80	97	138	12.9	M12	15.1	22	15	8.5	20.5	45	38	20	17	14	105		M12x35	77.57	155.93	3.01	2.35	2.35	2.79	10.41				
HGW 45HC								128.8	169.8																94.54	207.12	4.00	4.07	4.07	3.69					
HGW 55CC	70	13	43.5	140	116	12	95	117.7	165.7	12.9	M14	17.5	26.5	17	12	19	53	44	23	20	16	120		M14x45	114.44	227.81	5.66	4.06	4.06	4.52	15.08				
HGW 55HC								155.8	203.8																139.35	301.26	7.49	7.01	7.01	5.96					
HGW 65CC	90	15	53.5	170	142	14	110	144.2	198.2	12.9	M16	25	37.5	23	15	15	63	53	26	22	18	150		M16x50	163.63	324.71	10.02	6.44	6.44	9.17	21.18				
HGW 65HC								203.6	257.6																208.36	457.15	14.15	11.12	11.12	12.89					

Note : 1 kgf = 9.81 N