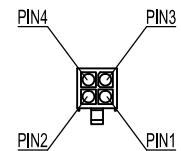
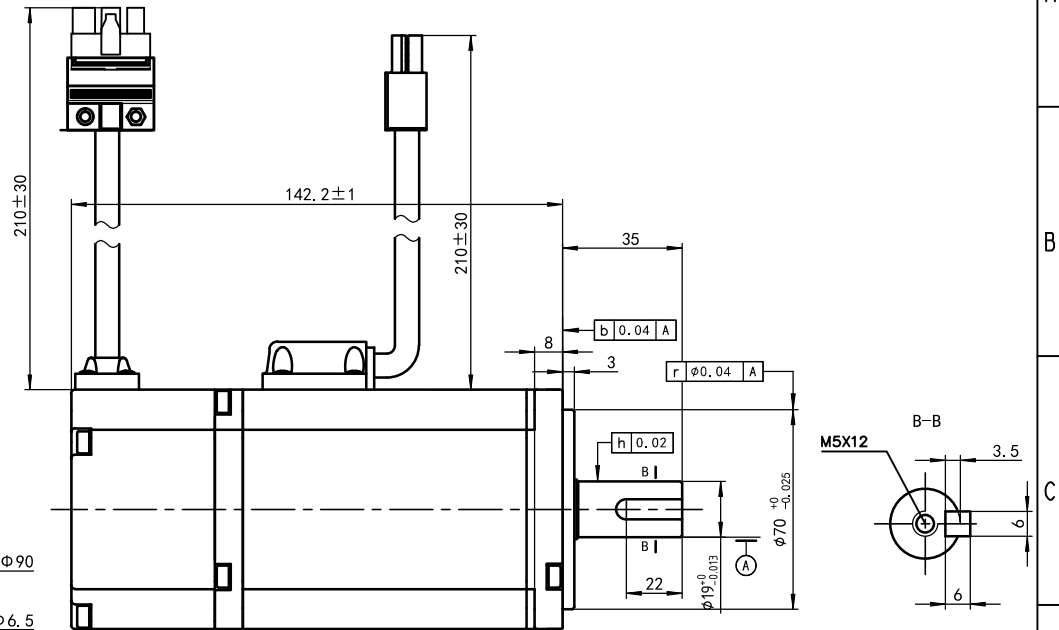
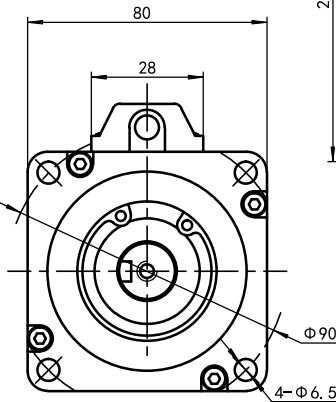
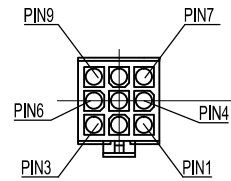


Rated Voltage (Vac)	200-220
Rated Power (w)	750
Rated Torque (N.m)	2.39
Peak Torque (N.m)	7.17
Rated Speed (rpm)	3000
Peak Speed (rpm)	4500
Rated Current (Amp)	4.5
Peak Current (Amp)	13.5
Torque Const (N.m/Amp)	0.564
Back EMF Const (V/krpm)	35.7
Resistance (Ω)	1.51
Inductance (mH)	8.2
Inertia (kg*m ² *10 ⁻⁴)	1.53
Poles	8
Encoder type	17bit single-turn
Protection level	IP54



Wiring details of Power cable connector				
Pos	1	2	3	4
Signal	U	W	V	PE
Color	blue	red	black	Yel/Gre



Wiring details of encoder cable connector							
Pos	1	2	3	4	5	6	7
Signal	PE	5V	0V	SD+	SD-	--	--
Color	shield	blue	blue/w	purple	purple/w	--	--

Connector Code Of Extension Cable Side			
Type	Winding Connector	Encoder Connector	Brake Connector
Pin	170362-1	170361-1	--
Plastic shell	AMP172159-1	AMP172161-1	--

Connector Code Of Motor Side			
Type	Winding Connector	Encoder Connector	Brake Connector
Pin	170360-1	170359-1	--
Plastic shell	AMP172167-1	AMP172169-1	--

Leadshine Technology Co .Ltd

ELM0750FM80H-SS

80mm, medium inertia, 750w servo motor
17bit incremental encoder, no brake