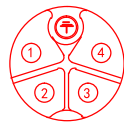
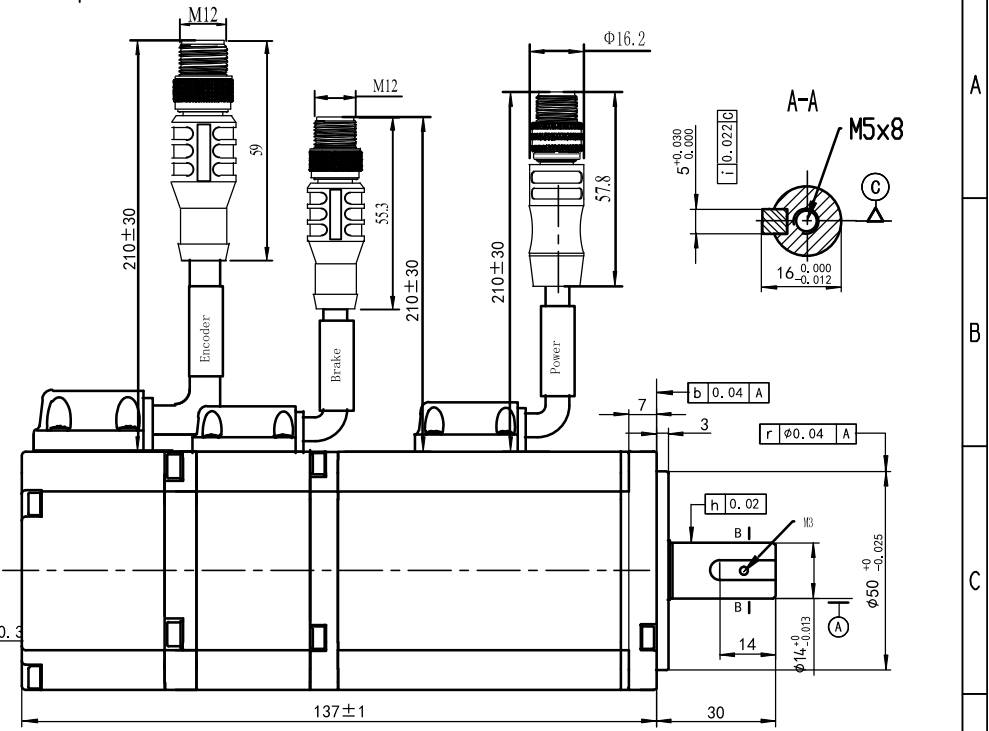
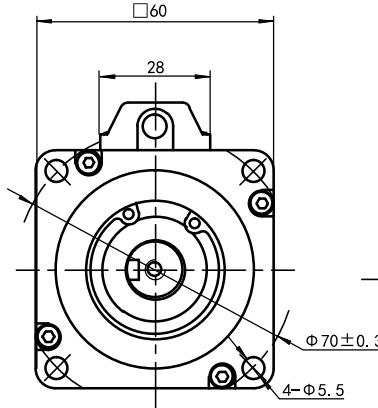
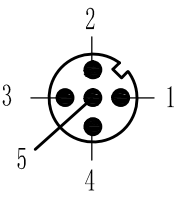


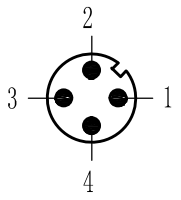
| | |
|------------------------------------------------|--------------------------|
| Rated Voltage (Vac) | 200-220 |
| Rated Power (w) | 200 |
| Rated Torque (N.m) | 0.64 |
| Peak Torque (N.m) | 1.92 |
| Rated Speed (rpm) | 3000 |
| Peak Speed (rpm) | 6000 |
| Rated Current (Amp) | 1.7 |
| Peak Current (Amp) | 5.1 |
| Torque Const (N.m/Amp) | 0.416 |
| Back EMF Const (V/krpm) | 29.2 |
| Resistance (Ω) | 7.4 |
| Inductance (mH) | 22 |
| Inertia (kg*m ² *10 ⁻⁴) | 0.22 |
| Poles | 8 |
| Encoder type | 17bit single-turn |
| Protection level | IP54 |



| Wiring details of Power cable connector | | | | |
|-----------------------------------------|------|-----|-------|---------|
| Pos | 1 | 2 | 3 | 4 |
| Signal | U | W | V | PE |
| Color | blue | red | black | Yel/Gre |



| Wiring details of encoder cable connector | | | | | | | |
|-------------------------------------------|--------|-------|-------|------|--------|----|----|
| Pos | 1 | 2 | 3 | 4 | 5 | 6 | 7 |
| Signal | PE | white | black | blue | purple | -- | -- |
| Color | shield | 5V | 0V | SD+ | SD- | -- | -- |



| Wiring details of brake cable connector | | | | |
|-----------------------------------------|---|---|-----|-------|
| Pos | 1 | 2 | 3 | 4 |
| Signal | | | 24V | 0V |
| Color | | | red | black |

| Connector Code Of Extension Cable Side | | | |
|----------------------------------------|-------------------|-------------------|-----------------|
| Connector | Winding Connector | Encoder Connector | Brake Connector |
| Type | PK-EK5-0.3M | EK5-*M/T797 | EZ4.2-*M/T797-1 |

| Connector Code Of Motor Side | | | |
|------------------------------|-------------------|-------------------|-----------------|
| Connector | Winding Connector | Encoder Connector | Brake Connector |
| Type | PK-EZ5-0.3M | EZ5-0.3M/T797 | EZ4.2-0.3M/T797 |

Leadshine Technology Co .Ltd

ELM0200FL60G-HH

60mm, low inertia, 200w servo motor
17bit incremental encoder, brake