

HSSE86 4-8-12Nm Dimenzió és nyomaték görbe.

86简易伺服系列(86闭环系列)

NEMA34 Easy Servo Series(NEMA34 Closed Loop Series)

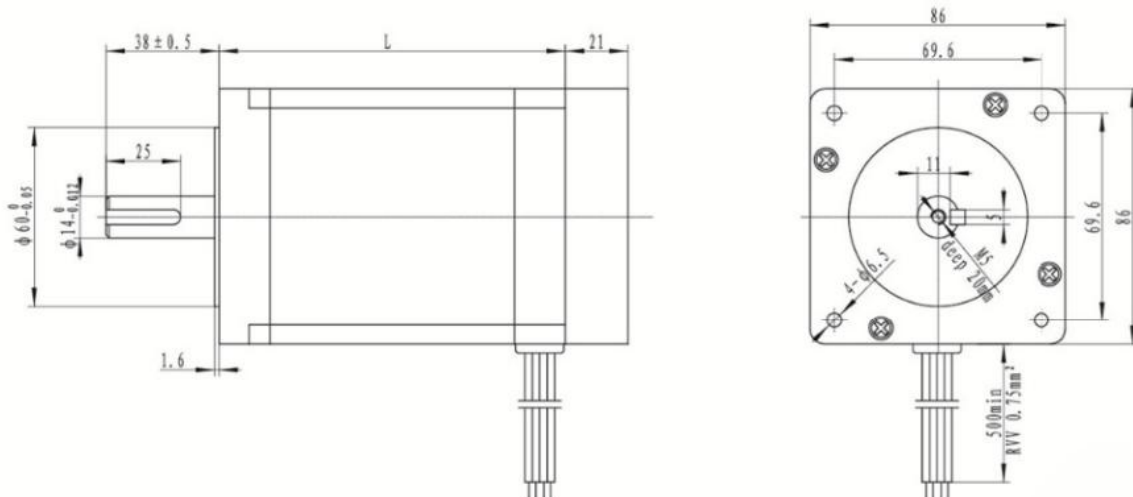


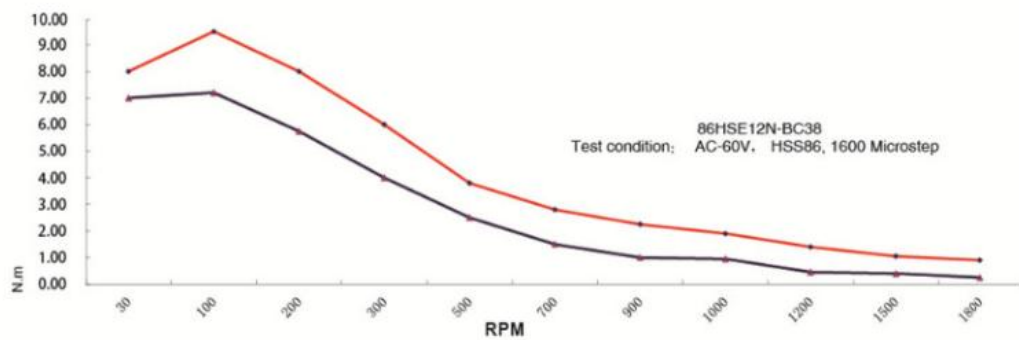
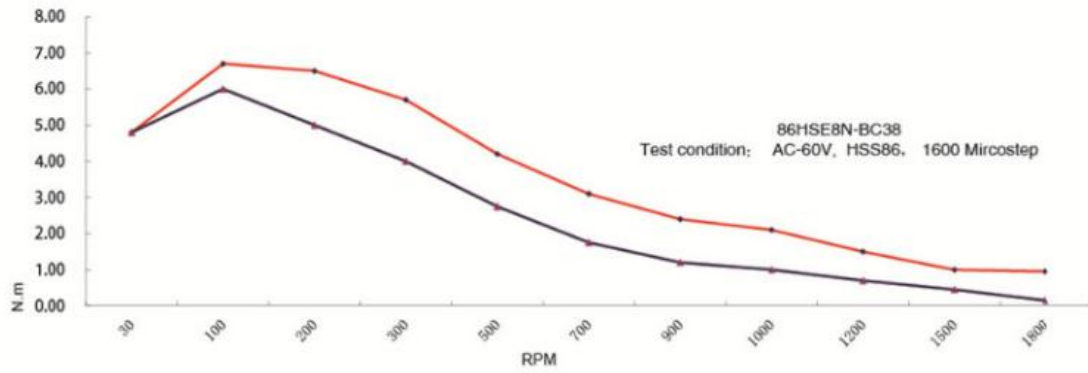
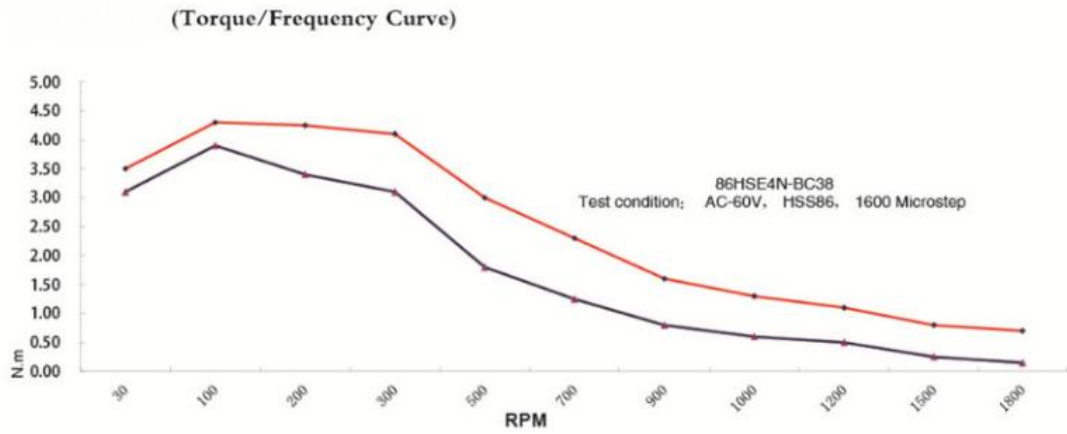
(Motor Electrical Parameters)

型号 Model No.	步距角 Step Angle	电流 Current (A)	电阻 Resistance (Ω±10%)	电感 Inductance (mH±20%)	静力矩 Holding Torque(N.m)	电机长度(L) Motor Length(mm)	编码分辨率 Encoder Resolution(PPR)	重量 Weight(Kg)
86HSE4N-BC38	1.8°	6.0	0.45	3.7	4.5	82	1000	2.65
86HSE8N-BC38	1.8°	6.0	0.44	3.7	8.0	118	1000	4.0
86HSE12N-BC38	1.8°	6.0	0.45	5.2	12.0	156	1000	5.65

↓ (Motor Dimensions)

(单位/unit=mm)





备注: 蓝色曲线表示86mm普通电机的矩频特性图, 红色曲线表示86mm闭环电机的矩频特性图
Remark: Blue curve is nema34 standard stepper motor torque curve, red curve is nema34 closed loop motor torque curve.