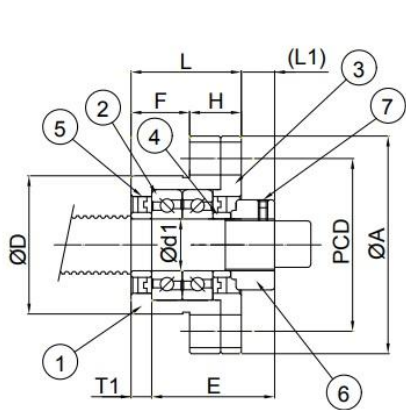
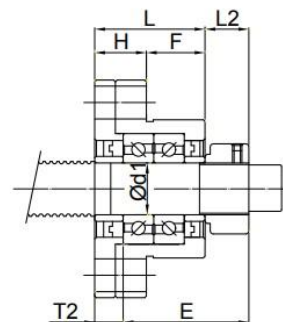
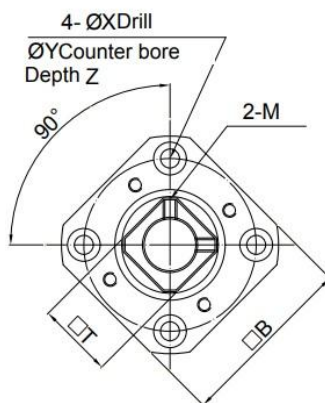


FK



Mounting method A

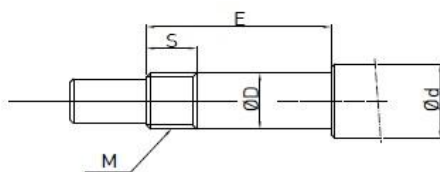


Mounting method B

| Specification | Main dimensions (mm) |      |    |      |      |               |     |     |    |                   |     |                   |     |     |      |    |    |    |             |
|---------------|----------------------|------|----|------|------|---------------|-----|-----|----|-------------------|-----|-------------------|-----|-----|------|----|----|----|-------------|
|               | d1                   | L    | H  | F    | E    | D<br>(Note 1) | A   | PCD | B  | Mounting method A |     | Mounting method B |     | X   | Y    | Z  | M  | T  | Weight (kg) |
|               |                      |      |    |      |      |               |     |     |    | L1                | T1  | L2                | T2  |     |      |    |    |    |             |
| FK05          | 5                    | 16.5 | 6  | 10.5 | 18.5 | 20            | 34  | 26  | 26 | 5.5               | 3.5 | 5                 | 3   | 3.4 | 6.5  | 4  | M3 | 11 | 0.1         |
| FK06          | 6                    | 20   | 7  | 13   | 22   | 22            | 36  | 28  | 28 | 5.5               | 3.5 | 6.5               | 4.5 | 3.4 | 6.5  | 4  | M3 | 11 | 0.1         |
| FK08          | 8                    | 23   | 9  | 14   | 26   | 28            | 43  | 35  | 35 | 7                 | 4   | 8                 | 5   | 3.4 | 6.5  | 4  | M3 | 14 | 0.16        |
| FK10          | 10                   | 27   | 10 | 17   | 29.5 | 34            | 52  | 42  | 42 | 7.5               | 5   | 8.5               | 6   | 4.5 | 8    | 5  | M3 | 16 | 0.25        |
| FK12          | 12                   | 27   | 10 | 17   | 29.5 | 36            | 54  | 44  | 44 | 7.5               | 5   | 8.5               | 6   | 4.5 | 8    | 5  | M4 | 19 | 0.26        |
| FK15          | 15                   | 32   | 15 | 17   | 36   | 40            | 63  | 50  | 52 | 10                | 6   | 12                | 8   | 5.5 | 9.5  | 6  | M4 | 22 | 0.4         |
| FK17          | 17                   | 45   | 22 | 23   | 47   | 50            | 77  | 62  | 61 | 11                | 9   | 14                | 12  | 6.6 | 11   | 10 | M4 | 24 | 0.85        |
| FK20          | 20                   | 52   | 22 | 30   | 50   | 57            | 85  | 70  | 68 | 8                 | 10  | 12                | 14  | 6.6 | 11   | 10 | M4 | 30 | 1.2         |
| FK25          | 25                   | 57   | 27 | 30   | 60   | 63            | 98  | 80  | 79 | 13                | 10  | 20                | 17  | 9   | 15   | 13 | M6 | 35 | 1.6         |
| FK30          | 30                   | 62   | 30 | 32   | 61   | 75            | 117 | 95  | 93 | 11                | 12  | 17                | 18  | 11  | 17.5 | 15 | M6 | 40 | 2.38        |

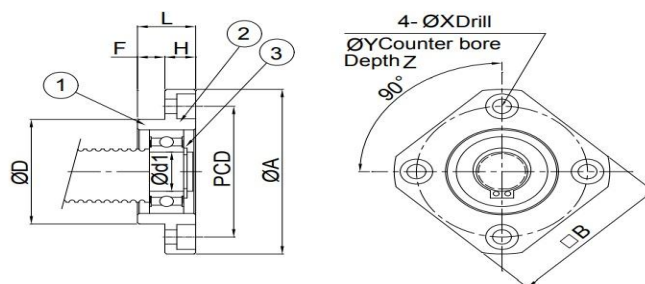
# FF-FK Lineáris csapágy megmunkálás

2017.



| Specification |      |      |      | Main dimensions (mm) |    |    |           |    |
|---------------|------|------|------|----------------------|----|----|-----------|----|
| FK            | EK   | AK   | LK   | d                    | D  | E  | M         | S  |
| FK05          | EK05 | -    | -    | 8                    | 5  | 23 | M5 x 0.5  | 7  |
| FK06          | EK06 | -    | -    | 8                    | 6  | 28 | M6 x 0.75 | 8  |
| FK08          | EK08 | -    | LK08 | 10-12                | 8  | 32 | M8 x 1    | 10 |
| FK10          | EK10 | AK10 | LK10 | 10-15                | 10 | 36 | M10 x 1   | 12 |
| FK12          | EK12 | AK12 | LK12 | 14-18                | 12 | 36 | M12 x 1   | 12 |
| FK15          | EK15 | AK15 | LK15 | 20                   | 15 | 48 | M15 x 1   | 13 |
| FK17          | -    | -    | -    | 25-28                | 17 | 59 | M17 x 1   | 17 |
| FK20          | EK20 | AK20 | -    | 25-28                | 20 | 64 | M20 x 1   | 16 |
| FK25          | -    | AK25 | -    | 30-36                | 25 | 76 | M25 x 1.5 | 20 |
| FK30          | -    | -    | -    | 40                   | 30 | 73 | M30 x 1.5 | 25 |

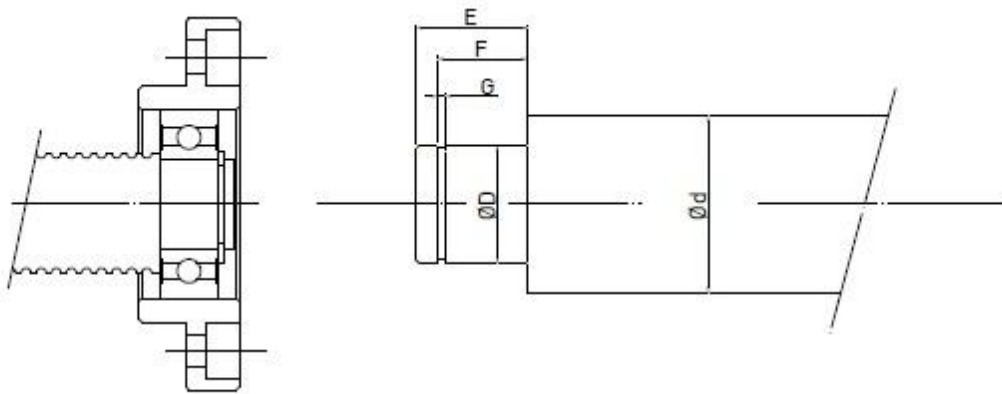
FF



| Specification | Main dimensions (mm) |    |    |    |               |     |     |    |     |     |     |         |           |                |
|---------------|----------------------|----|----|----|---------------|-----|-----|----|-----|-----|-----|---------|-----------|----------------|
|               | d1                   | L  | H  | F  | D<br>(Note 1) | A   | PCD | B  | X   | Y   | Z   | Bearing | Snap ring | Weight<br>(kg) |
| FF06          | 6                    | 10 | 6  | 4  | 22            | 36  | 28  | 28 | 3.4 | 6.5 | 4   | 606ZZ   | S06       | 0.08           |
| FF10          | 8                    | 12 | 7  | 5  | 28            | 43  | 35  | 35 | 3.4 | 6.5 | 4   | 608ZZ   | S08       | 0.1            |
| FF12          | 10                   | 15 | 7  | 8  | 34            | 52  | 42  | 42 | 4.5 | 8   | 4   | 6000ZZ  | S10       | 0.15           |
| FF15          | 15                   | 17 | 9  | 8  | 40            | 63  | 50  | 52 | 5.5 | 9.5 | 5.5 | 6002ZZ  | S15       | 0.22           |
| FF17          | 17                   | 20 | 11 | 9  | 50            | 77  | 62  | 61 | 6.6 | 11  | 6.5 | 6203ZZ  | S17       | 0.35           |
| FF20          | 20                   | 20 | 11 | 9  | 57            | 85  | 70  | 68 | 6.6 | 11  | 6.5 | 6204ZZ  | S20       | 0.45           |
| FF25          | 25                   | 24 | 14 | 10 | 63            | 98  | 80  | 79 | 9   | 14  | 8.5 | 6205ZZ  | S25       | 0.66           |
| FF30          | 30                   | 27 | 18 | 9  | 75            | 117 | 95  | 93 | 11  | 17  | 11  | 6206ZZ  | S30       | 1.05           |

# FF-FK Lineáris csapágy megmunkálás

2017.



| Specification |      |        |      |      | Main dimensions (mm) |    |        |              |      |
|---------------|------|--------|------|------|----------------------|----|--------|--------------|------|
| FF            | EF   | BF     | AF   | LF   | d                    | D  | E      | F            | G    |
| FF06          | EF06 | -      | -    | -    | 8                    | 6  | 9      | 6.8          | 0.8  |
| -             | EF08 | -      | -    | LF08 | 10-12                | 6  | 9      | 6.8          | 0.8  |
| FF10          | EF10 | BF10   | AF10 | -    | 10-15                | 8  | 10     | 7.9          | 0.9  |
| FF12          | EF12 | BF12   | AF12 | -    | 14-18                | 10 | 11     | 9.15         | 1.15 |
| FF15          | EF15 | BF15   | AF15 | LF12 | 20                   | 15 | 13     | 10.15        | 1.15 |
| FF17          | -    | BF17   | -    | LF15 | 25-28                | 17 | 16     | 13.15        | 1.15 |
| FF20          | EF20 | (BF20) | AF20 | -    | 25-28                | 20 | 19(16) | 15.35(13.35) | 1.35 |
| FF25          | -    | BF25   | AF25 | -    | 30-36                | 25 | 20     | 16.35        | 1.35 |
| FF30          | -    | BF30   | -    | -    | 40                   | 30 | 21     | 17.75        | 1.75 |
| -             | -    | BF35   | -    | -    | 45                   | 35 | 22     | 18.75        | 1.75 |
| -             | -    | BF40   | -    | -    | 50                   | 40 | 23     | 19.95        | 1.95 |



A megadott méretek változtatás jogát fenntartjuk.

